

**ABBATTITORI/CONGELATORI  
BLAST CHILLERS AND FREEZERS**

**BLAST CHILLER/FREEZER  
20 GN 1/1 CROSSWISE 100/85 Kg**

Code	AV	Type	Ref.	Page	Brand
110022	14	Crosswise 20 GN 1/1 Freezer 100/85 kg (uk norme)	a	2 3 4 5	Zanussi
110023	15	Crosswise 20 GN 1/1 Freezer 100/85 kg (uk norme) disassembled delively	b	2 3 4 5	Zanussi
110001	14	Crosswise 20 GN 1/1 Chiller 100/85 kg (uk norme)	c	2 3 4 5	Zanussi
110002	15	Crosswise 20 GN 1/1 Chiller 100/85 kg (uk norme) disassembled delively	d	2 3 4 5	Zanussi
110024	13	Crosswise 20 GN 1/1 Freezer 100/85 kg (uk norme) remote	e	2 3 4 5	Zanussi
110025	13	Crosswise 20 GN 1/1 Freezer 100/85 kg (uk norme) remote disassembled delivery	f	2 3 4 5	Zanussi
110003	13	Crosswise 20 GN 1/1 Chiller 100/85 kg (uk norme) remote	g	2 3 4 5	Zanussi
110004	13	Crosswise 20 GN 1/1 Chiller 100/85 kg (uk norme) remote disassembled delivery	h	2 3 4 5	Zanussi
728312	14	Crosswise 20 GN 1/1 Chiller 100/85 kg (uk norme)	i	2 3 4 5	Alpeninox
728334	14	Crosswise 20 GN 1/1 Freezer 100/85 kg (uk norme)	l	2 3 4 5	Alpeninox
728313	15	Crosswise 20 GN 1/1 Chiller 100/85 kg (uk norme) disassembled delively	m	2 3 4 5	Alpeninox
728335	15	Crosswise 20 GN 1/1 Freezer 100/85 kg (uk norme) disassembled delively	n	2 3 4 5	Alpeninox
728315	13	Crosswise 20 GN 1/1 Chiller 100/85 kg (uk norme) remote	o	2 3 4 5	Alpeninox
728336	13	Crosswise 20 GN 1/1 Freezer 100/85 kg (uk norme) remote	p	2 3 4 5	Alpeninox
728316	13	Crosswise 20 GN 1/1 Chiller 100/85 kg (uk norme) remote disassembled delivery	q	2 3 4 5	Alpeninox
728337	13	Crosswise 20 GN 1/1 Freezer 100/85 kg (uk norme) remote disassembled delivery	r	2 3 4 5	Alpeninox

**note:**

**Has been change the user board and food probes from ser.N°01700001 due to a new connectors. Please for other information look the tec.doc n°VTX.2010-03**

from serial number **642**..... in Pnc n° 110001-110022-728312-728334 change compressor from spc 084938 to 091214 from serial number **7120001** change electronic board, stiker control

**Pag. Indice**

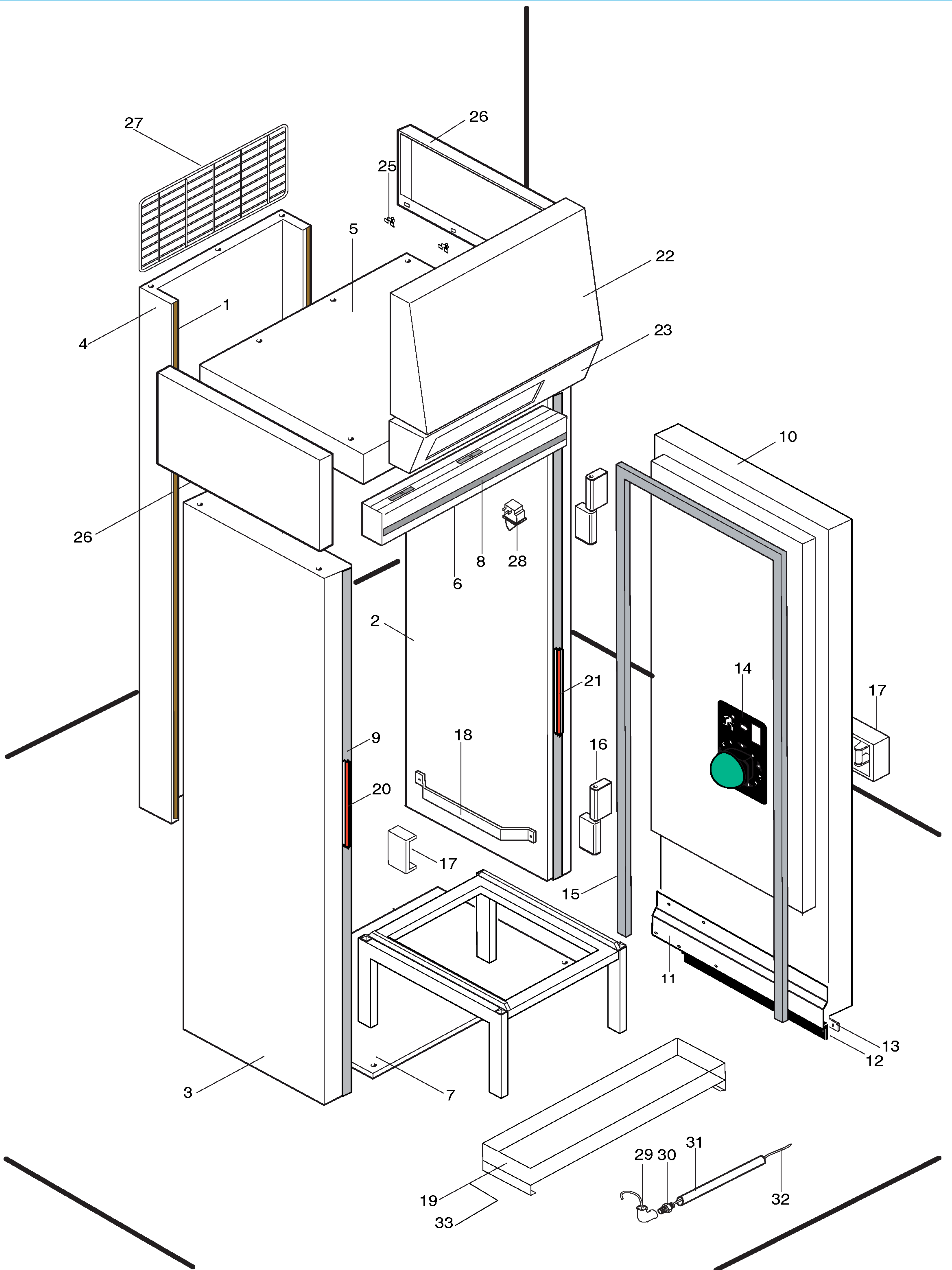
- 2 Armadio
- 3 Lista ricambi
- 4 Gruppo refrigerante
- 5 Lista ricambi

**Index**

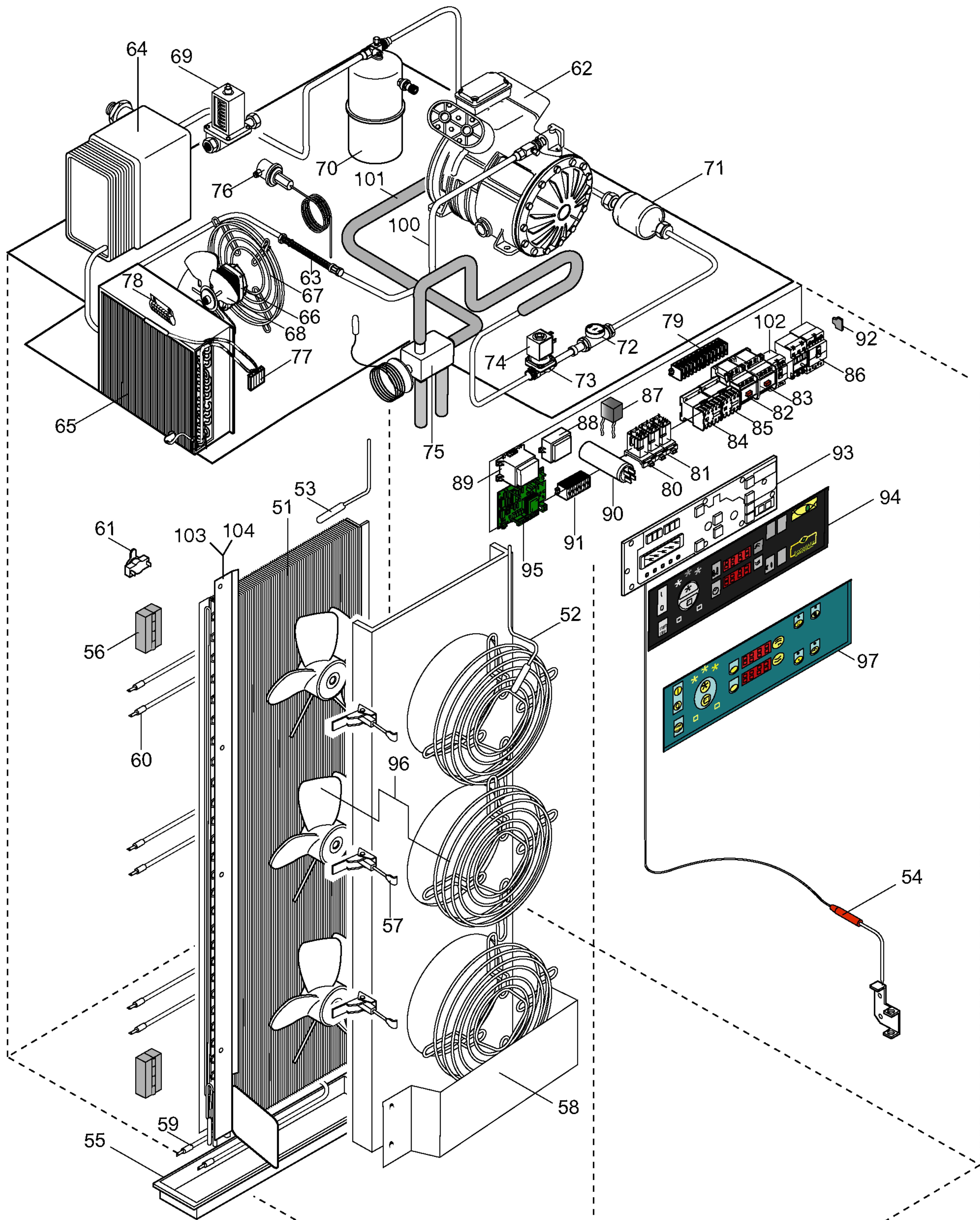
- Cabinet
- Spare parts list
- Cooling unit
- Spare parts list

**Marchio / Brand: Zanussi /Alpeninox**  
**Paese / Country: Tutti / All**

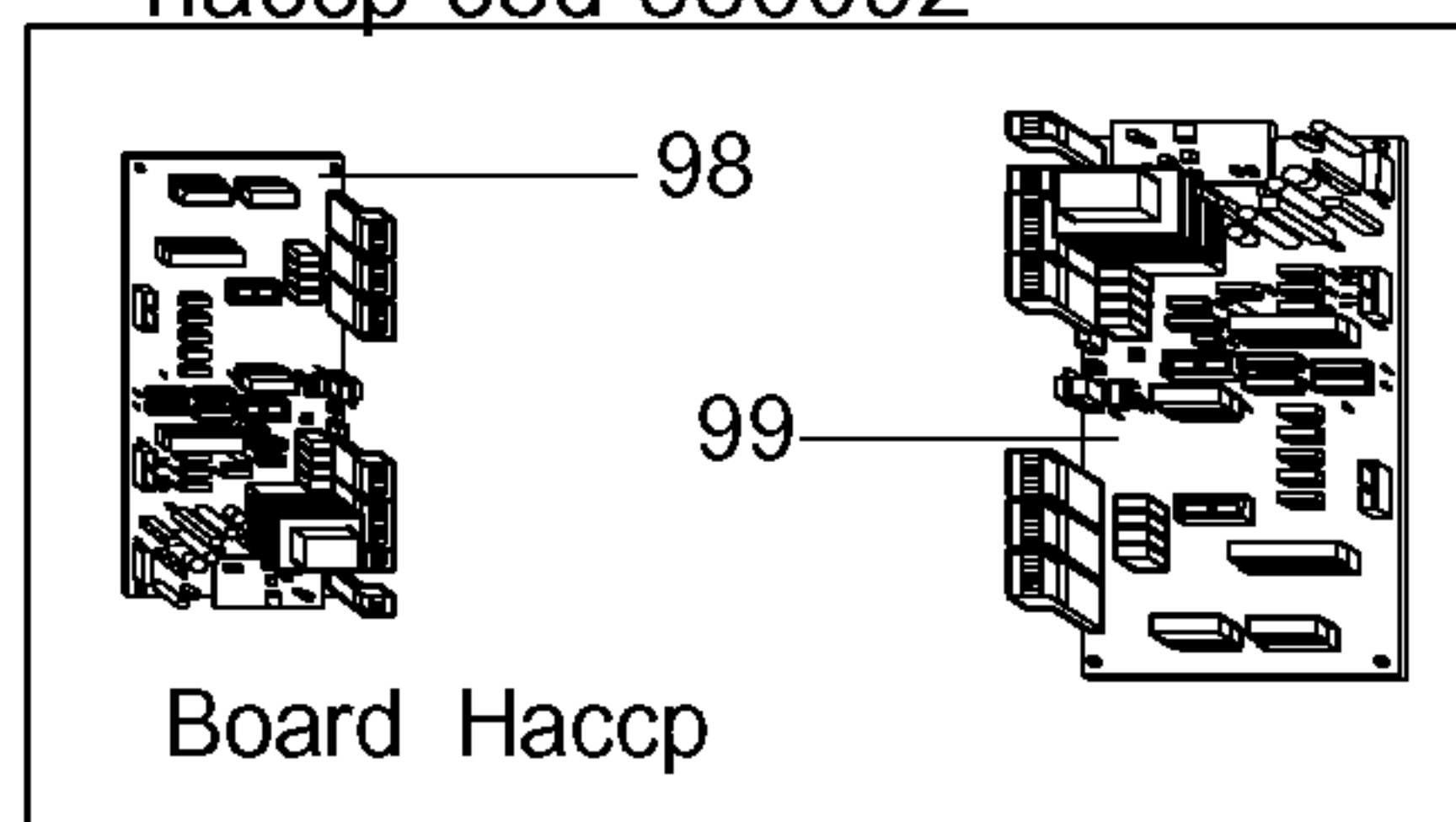








Kit complete for integrated  
haccp cod 880092



5-41-3-28 GRUP.